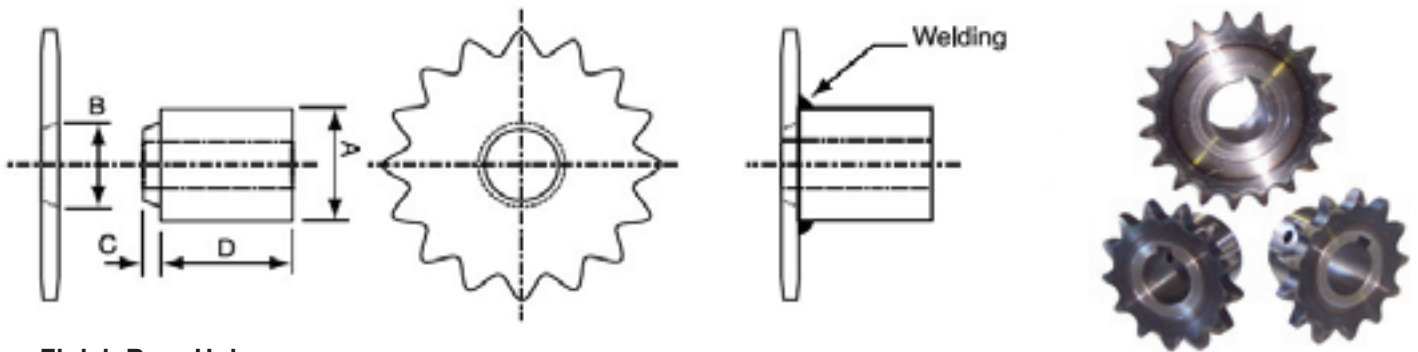


WELD FIT SPROCKETS

- 24 Standard Bore sizes to suit 135 Sprockets, ready for installation in minutes.
- Sprockets come standard with induction hardened teeth for maximum service life.
- Reduce downtime and increase productivity with GB Weld Fit Sprockets.
- Huge savings on skilled labour & no more waiting to get production going again.



Finish Bore Hubs

	VT Series Hub		WT Series Hub		XT Series Hub	
A	34mm	1-5/16 inch	44mm	1-3/4 inch	62mm	2-7/16 inch
B	30mm	1-3/16 inch	41mm	1-5/8 inch	57mm	2-1/4 inch
C	12mm	1/2 inch	12mm	1/2 inch	12mm	1/2 inch
D	30mm	1-3/16 inch	37mm	1-7/16 inch	37mm	1-7/16 inch
Stock Bore sizes - Imperial / Metric						
Inch	mm	Inch	mm	Inch	mm	
1/2	12	1/2	14	1/2	14	
5/8	14	5/8	15	5/8	15	
3/4	15	3/4	16	3/4	16	
7/8	19	7/8	18	7/8	18	
	20	1	19	1	19	
		1 1/8	20	1 1/8	20	
		1 1/4	24	1 1/4	24	
				25	1 3/8	25
				28	1 1/2	28
				30	1 5/8	30
				32	1 3/4	32
						35
						38
						40
						42
						45

Notes:

- 1) Welding with low hydrogen electrodes is recommended
- 2) Keyways conform to BS 46 (imperial) and BS 4235 (metric)





Chain	BS 08B-1	AS 40-1	BS10B-1	BS12B-1	BS16B1
			AS50-1	AS60-1	AS80-1
No. Teeth	Pitch 1/2"	Pitch 1/2"	Pitch 5/8"	Pitch 3/4"	Pitch 1"
12	08VT12HT	40VT12HT	50WT12HT	60WT12HT	80XT12HT
13	08VT13HT	40VT13HT	50WT13HT	60WT13HT	80XT13HT
14	08VT14HT	40VT14HT	50WT14HT	60WT14HT	80XT14HT
15	08VT15HT	40VT15HT	50WT15HT	60XT15HT	80XT15HT
16	08WT16HT	40WT16HT	50WT16HT	60XT16HT	80XT16HT
17	08WT17HT	40WT17HT	50XT17HT	60XT17HT	80XT17HT
18	08WT18HT	40WT18HT	50XT18HT	60XT18HT	80XT18HT
19	08WT19HT	40WT19HT	50XT19HT	60XT19HT	80XT19HT
20	08XT20HT	40XT20HT	50XT20HT	60XT20HT	80XT20HT
21	08XT21HT	40XT21HT	50XT21HT	60XT21HT	80XT21HT
22	08XT22HT	40XT22HT	50XT22HT	60XT22HT	80XT22HT
23	08XT23HT	40XT23HT	50XT23HT	60XT23HT	80XT23HT
24	08XT24HT	40XT24HT	50XT24HT	60XT24HT	80XT24HT
25	08XT25HT	40XT25HT	50XT25HT	60XT25HT	80XT25HT
26	08XT26HT	40XT26HT	50XT26HT	60XT26HT	80XT26HT
27	08XT27HT	40XT27HT	50XT27HT	60XT27HT	80XT27HT
28	08XT28HT	40XT28HT	50XT28HT	60XT28HT	80XT28HT
29	08XT29HT	40XT29HT	50XT29HT	60XT29HT	80XT29HT
30	08XT30HT	40XT30HT	50XT30HT	60XT30HT	80XT30HT
32	08XT32HT	40XT32HT	50XT32HT	60XT32HT	80XT32HT
34	08XT34HT	40XT34HT	50XT34HT	60XT34HT	80XT34HT
36	08XT36HT	40XT36HT	50XT36HT	60XT36HT	80XT36HT
38	08XT38HT	40XT38HT	50XT38HT	60XT38HT	80XT38HT
40	08XT40HT	40XT40HT	50XT40HT	60XT40HT	80XT40HT
45	08XT45HT	40XT45HT	50XT45HT	60XT45HT	80XT45HT
57	08XT57HT	40XT57HT	50XT57HT	60XT57HT	80XT57HT
76	08XT76HT	40XT76HT	50XT76HT	60XT76HT	80XT76HT

Other Quality GB Products



CHAIN



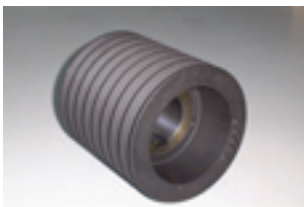
SPROCKETS



TAPER FIT



COUPLINGS



PULLEYS



TENSIONERS

YOUR LOCAL DISTRIBUTOR