

# KBMK

## Digital AC Drive with CSP™\* Rugged Aluminum NEMA 1 / IP 50

### Primary Features

Horsepower 1/8 to 1 HP, Programmable  
1Ø Input 115/230 VAC, 50/60 Hz  
3Ø Output 230 VAC  
200% Starting Torque  
Digital Display with LED Status Indicators  
Class "A" (CE) RFI Filter\*\*

### Benefits

#### Saves Time

Easy to Install and Simple to Operate  
Does not require commissioning  
*With CSP™ you are up and running in less than 10 minutes.*

#### Motors Last Longer

Proprietary CL Software  
*Provides overload protection, prevents motor burnout and eliminates nuisance tripping.  
UL approved as electronic overload protector for motors.*

#### Energy Saving

Uses only the power the application requires  
*Replacing constant speed with variable speed will significantly reduce energy costs.*

#### Economical to Use

Eliminates secondary enclosure  
*No holes to drill, no switches to install.  
No need to derate drive for high starting torque applications.*  
Combines Soft Start with Variable Speed  
*Adjustable Soft Start.*

#### Customization for OEM's

When an off the shelf drive does not meet your needs, we will work with you to provide a custom drive solution, Ready to Use, "Out-of-the-Box."

*Customization includes: Pre-calibrating or programming of a stock control, adding a custom label or branding, custom software, PLC functions or designing a new control.*

**GFCI software** allows the equipment to operate with Ground Fault Circuit Interruption circuit breakers or outlets.

\*CSP™ = Common Sense Programming. Parameters are organized into easy-to-understand intuitive groups.

\*\*KBMK-24DF.



KB Electronics, Inc.

Automation and Control

## Additional Features

### Sensorless Flux Vector Control

Flux Vector Compensation with Static Auto-Tune provides excellent speed regulation with high torque loads throughout the entire speed range. Auto energy saving at light loads. Smooth motor torque.

### Electronic Inrush Current Limit (EICL™) Protection

Eliminates harmful inrush AC line current during power up.

### Multi-Function Output Relay

Can be used to turn equipment on or off, to signal a warning if the drive is put into "Stop" Mode, or to signal if a fault has occurred.

### Jog-Local/Remote

Set the drive to Jog Mode or changes between Local (Keypad) or Remote Operation.

### On/Off AC Line Switch

Disconnects the AC Line.

### Built-in Potentiometer

Quickest way to change motor speed.

### Ride-Through

Provides smooth recovery to the previous set speed during a momentary power loss.

### Holding Torque at Zero Speed

Resists motor shaft rotation when the drive is in "Stop" mode.

### Regeneration Protection

Eliminates tripping due to high bus voltage caused by rapid deceleration of high inertial loads.

### Undervoltage and Overvoltage Protection

Shuts down the drive if the AC line input voltage goes above or below the operating range.

### Short Circuit Protection

Shuts down the drive if a short circuit occurs at the motor (phase-to-phase).

## Drive Options

### IODA Input/Output Multi-Function Board

Adds up to 17 points of additional I/O.

### On/Off AC Line Switch

Disconnects the AC line.



## Applications

- Actuators • Air Cleaners • Amusement Rides
- Ball Pitching Machines • Blowers • Boat Lifts
- Bowling Alley Lane Cleaners • CNC • Conveyors
- Door and Gate Openers • Drilling • Duct Cleaners
- Dumbwaiters • Elevators and Hoists
- Exercise Equipment • Fabric Processing • Fans
- Feeders • Film Processing • Floor Cleaning
- Food Processing • Garment Cutting
- Grinding and Polishing • Hoppers • Horse Walkers
- HVAC • Indexers • Irrigation • Laminating
- Lift Station Pumps • Machine Tools
- Medical • Milling • Mixers • Oven Conveyors
- Packaging • Paint Blenders, Shakers, and Sprayers
- Paper Handling • Portable Equipment Used with GFCIs
- Pottery Wheels • Printing
- Pumps • Range Hoods • Sandblasting • Saws
- Sewing • Stretch Wrap • Textile • Treadmills
- Therapeutic Vibrators • Washing Machines
- Wave Soldering • Web Processing • Wheelchair Lifts
- Whole House Vacuums and Attic Fans
- Wire Feeders • Wood and Metal Lathes and Cutters
- Winders and Unwinders

Visit [kbelectronics.com](http://kbelectronics.com)

to learn about Build-A-Drive™, KB's New AC Inverter Program.



**KB Electronics, Inc.**  
kbelectronics.com • info@kbelectronics.com

Automation and Control

## Ratings

### 115/230 VAC 1-Phase Input • 230 VAC 3-Phase Output

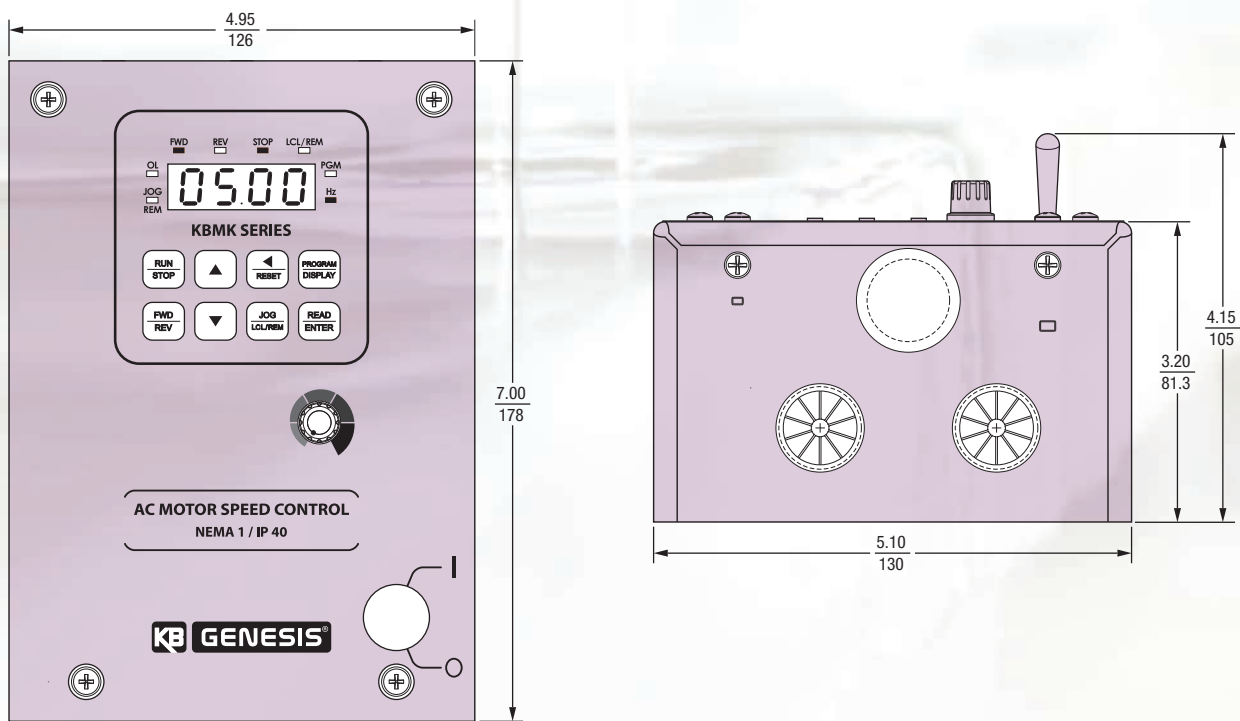
Model No.	Part No.	Ratings		Net Weight	
		HP, (kW)	Amps	Lbs.	kg
KBMK-24D	9680	1, (0.75)	3.6	2.26	1.03
KBMK-24DF*	9681	1, (0.75)	3.6	2.33	1.06

\*"F" Suffix for Built-In Class A RFI (EMI) AC Line Filter.

## Specifications

Maximum Load (% of Current Overload for 2 Minutes)	150
Switching Frequency (kHz)	8, 10, 12
Output Frequency Resolution (Hz)	0.06
Minimum Output Frequency to Motor (Hz)	0.3
Acceleration Time (Seconds)	0.1 – 180.0
Deceleration Time (Seconds)	0.3 – 180.0
Speed Range (Ratio)	60:1
Speed Regulation (30:1 Speed Range, 0 – Full Load) (% Base Speed)	2.5
Stalled Motor Trip Time (Seconds)	6
Braking	DC Injection
Operating Temperature Range (°C / °F)	0 – 40 / 32 – 104
Storage Temperature (°C / °F)	-25 – +85 / -13 – +185

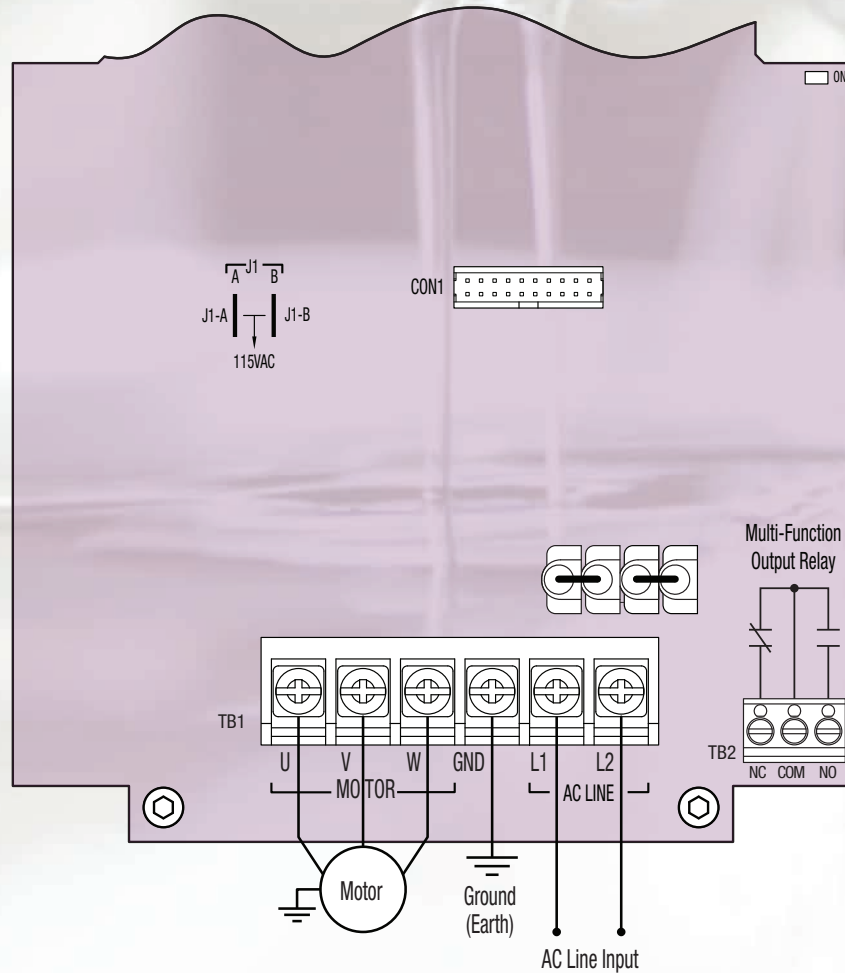
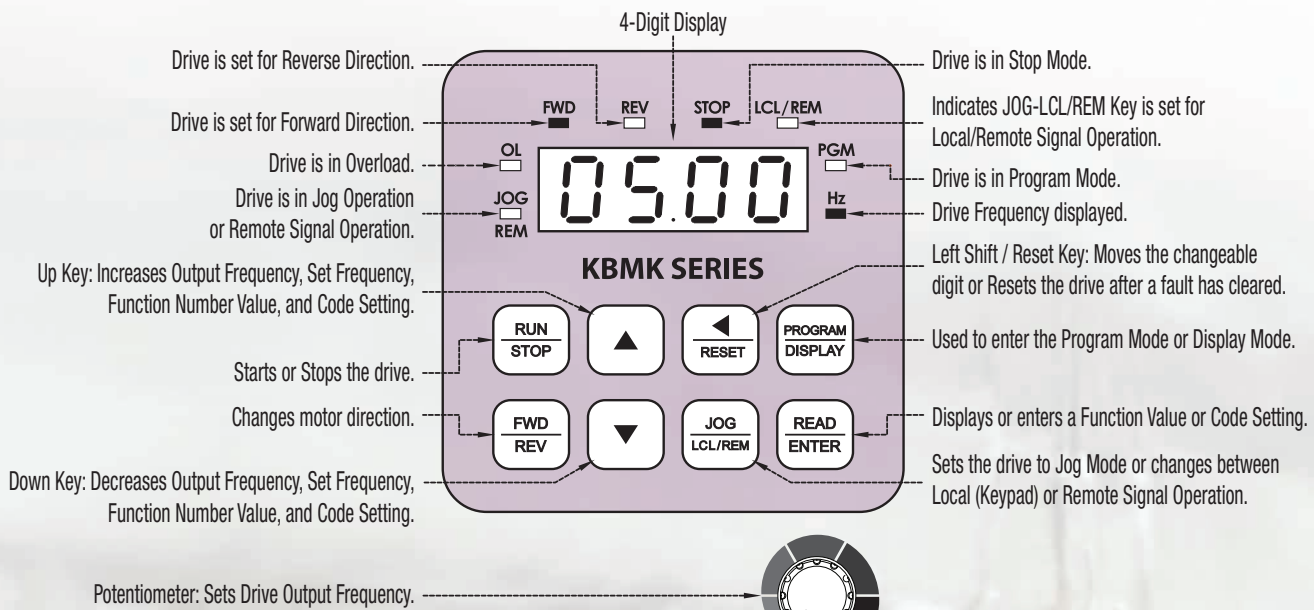
## Dimensions – (Inches/mm)



KB Electronics, Inc.  
kbelectronics.com • info@kbelectronics.com

Automation and Control

# General Connection Diagram



**WA HEAD OFFICE**

Unit 1 / 45 Inspiration Drive WA 6065  
 ☎ (08) 9303 4966 📠 (08) 9303 4977  
 ✉ info@chainanddrives.com.au

**NSW HEAD OFFICE**

Unit 7 / 70 Holbeche Road Arndell Park NSW 2148  
 ☎ (02) 9674 8611 📠 (02) 9674 8363  
 ✉ salesnsw@chainanddrives.com.au