

**PS Series
Periflex®
Flexible
Couplings**



FEATURES AND ADVANTAGES

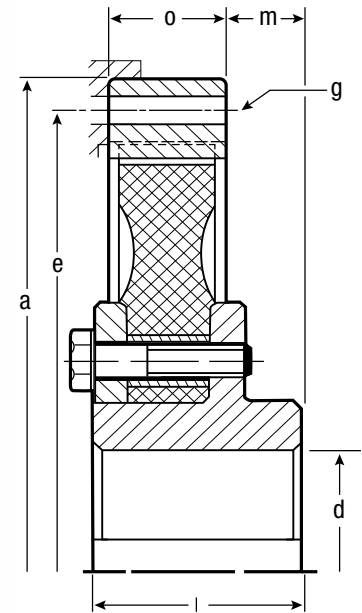
Applications

- Pumps
- Compressors
- Construction Equipment
- Mining Equipment

Constructed for installation ease and long operation!

The Periflex® Flexible Couplings permit a quick and simple connection between a flange- especially a flywheel- and a shaft. The coupling tire is made of natural rubber and is clamped to a steel hub assembly. The design of connection ring and tire assembly allows the coupling to be easily mounted/dismounted to a shaft and flywheel. Teeth on the circumference of the tire permit it to engage with the connection ring which bolts to a flange. The axial freedom between the connection ring and the engaged teeth of the tire make shaft positioning non-critical. For each size of coupling, tires of varying torsional stiffness are available. Coupling hubs are made from steel and are customized to particular shaft requirements. Ribs on the tire surface provide adequate air motion for cooling when the coupling is in operation.

Since the connection ring mounts directly on a flywheel, the Periflex® couplings are ideal for all types of piston engines. Their simple plug-in design make them ideal for use with bell housings where blind assembly is required.

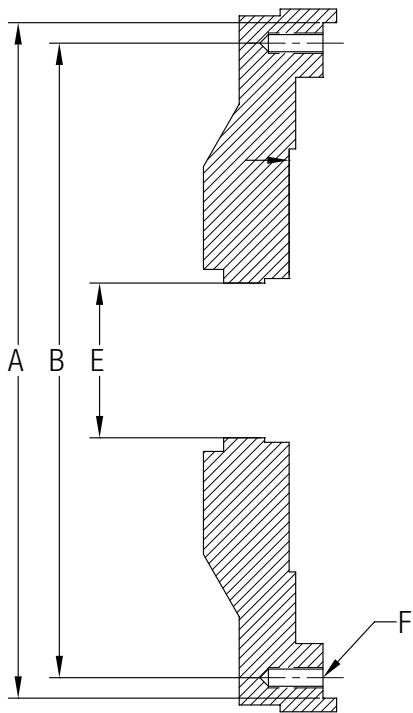


Stromag Unna reserves the right to modify the design without notice.

Coupling Size	PS 2255	PS 2270	PS 2280	PS 2750	PS 2770	PS 2780	PS 3455	PS 3470	PS 3480	PS 4255	PS 4270	PS 4280
Continuous torque rating (lb-ft)	87	130	181	181	254	362	362	542	723	723	1010	1450
Max. short time rated overload (lb-ft)	256	390	542	542	795	1084	1090	1520	2140	2140	3020	4350
Diameters	a	10.373	10.373	10.373	12.377	12.377	12.377	13.873	13.873	13.873	18.373	18.373
	d pilot bore	.787	.787	.787	1.181	1.181	1.181	1.181	1.181	1.181	1.496	1.496
	d max.	1.575	1.575	1.575	2.165	2.165	2.165	2.755	2.755	2.755	3.937	3.937
	e	9.625	9.625	9.625	11.625	11.625	11.625	13.125	13.125	13.125	17.251	17.251
	g	6x.43	6x.43	6x.43	8x.43	8x.43	8x.43	8x.43	8x.43	8x.43	8x.53	8x.53
Lengths	l	2.38	2.38	2.38	3.00	3.00	3.00	3.149	3.149	3.149	3.50	3.50
	m	.69	.69	.69	1.00	1.00	1.00	.885	.885	.885	1.00	1.00
	o	1.575	1.575	1.575	1.968	1.968	1.968	2.165	2.165	2.165	2.165	2.165
Dynamic spring rate (in-lb/rad)	62x10 ²	195x10 ²	230x10 ²	160x10 ²	487x10 ²	664x10 ²	400x10 ²	885x10 ²	1107x10 ²	974x10 ²	2214x10 ²	2745x10 ²
Tightening torque on screws (lb-ft)	29	29	29	63	63	63	72	72	72	134	134	134
WR ² hub side (lb-ft ²)	.188	.188	.188	.569	.569	.569	1.713	1.713	1.713	5.609	5.609	5.609
WR ² flange side (lb-ft ²)	.647	.647	.647	1.248	1.248	1.248	1.363	1.363	1.363	6.230	6.230	6.230
Max. speed (RPM)	3600	3600	3600	3600	3600	3600	3000	3000	3000	3000	3000	3000
Weight (lbs)	11.2	11.2	11.2	18.2	18.2	18.2	33	33	33	64	64	64
Radial deflection at M norm degrees	18°	18°	15°	28°	18°	16°	22°	20°	14°	17°	12°	12°
Tire No.	PS2255	PS2270	PS2280	PS2755	PS2770	PS2780	PS3455	PS3470	PS3480	PS4255	PS4270	PS4280

Note: These couplings are available in a variety of bore configurations. Consult factory.

SAE FLYWHEEL STANDARD DIMENSIONS



SAE Flywheel Standard Dimensions

Flywheel SAE No.	A inch	B inch	E inch	F	
				No.	Size
6 1/2	8.500	7.875	2.047	6	5/16" - 8
7 1/2	9.500	8.750	2.047	8	5/16" - 18
8	10.375	9.625	2.441	6	3/8" - 16
10	12.375	11.625	2.834	8	3/8" - 16
11 1/2	13.875	13.125	2.834	8	3/8" - 16
14	18.375	17.250	3.149	8	1/2" - 13



When calling for service, reference the **Product Identification Number.**

Stromag Facilities

Europe

Germany

Hansastraße 120
59425 Unna - Germany
+49 (0) 23 03 102 0

*Clutches & Brakes, Couplings,
Geared Cam Limit Switches, Discs,
Wind Brakes*

Dessauer Str. 10
06844 Dessau-Roßlau - Germany
+49 (0) 340 2190 0

Electromagnetic Clutches & Brakes

France

Avenue de l'Europe
18150 La Guerche sur L'Aubois - France
+33 (0)2 48 80 72 72

Disc Brakes & Drum Brakes

Great Britain

Amphill Road
Bedford, MK42 9RD - UK
+44 (0)1234 350311

*Electromagnetic Clutches & Brakes,
Industrial Caliper Brakes*

North America

USA

31 Industrial Park Road
New Hartford, CT 06057 - USA
860-238-4783

Electromagnetic Clutches & Brakes

300 Indiana Highway 212
Michigan City, IN 46360 - USA
219-874-5248

Couplings

2800 Fisher Rd.
Wichita Falls, TX
940-723-3400

*Geared Cam Limit Switches,
Industrial Caliper & Drum Brakes*

Asia Pacific

China

T40B -5, No. 1765 Chuan Qiao Road
Pudong 201206, Shanghai - China
Tel +86 21-60580600

*Clutches & Brakes, Electromagnetic
Clutches & Brakes, Couplings, Industrial
Caliper & Drum Brakes, Discs, Geared
Cam Limit Switches, Wind Brakes*

India

Gat No.: 448/14, Shinde Vasti, Nighoje
Tal Khed, Pune- 410 501
+91 2135 622100

*Clutches & Brakes, Electromagnetic
Clutches & Brakes, Couplings, Industrial
Caliper & Drum Brakes, Discs, Geared
Cam Limit Switches, Wind Brakes*

The Brands of Altra Industrial Motion

Couplings

Ameridrives
www.ameridrives.com

Bibby Turboflex
www.bibbyturboflex.com

Guardian Couplings
www.guardiancouplings.com

Huco
www.huco.com

Lamiflex Couplings
www.lamiflexcouplings.com

Stromag
www.stromag.com

TB Wood's
www.tbwoods.com

Geared Cam Limit Switches

Stromag
www.stromag.com

Electric Clutches & Brakes

Inertia Dynamics
www.idicb.com

Matrix
www.matrix-international.com

Stromag
www.stromag.com

Warner Electric
www.warnerelectric.com

Linear Products

Warner Linear
www.warnerlinear.com

Engineered Bearing Assemblies

Kilian
www.kilianbearings.com

Heavy Duty Clutches & Brakes

Industrial Clutch
www.indclutch.com

Twiflex
www.twiflex.com

Stromag
www.stromag.com

Svendborg Brakes
www.svendborg-brakes.com

Wichita Clutch
www.wichitaclutch.com

Belted Drives

TB Wood's
www.tbwoods.com

Gearing

Bauer Gear Motor
www.bauergears.com

Boston Gear
www.bostongear.com

Delroyd Worm Gear
www.delroyd.com

Nuttall Gear
www.nuttallgear.com

Overrunning Clutches

Formsprag Clutch
www.formsprag.com

Marland Clutch
www.marland.com

Stieber
www.stieberclutch.com

Neither the accuracy nor completeness of the information contained in this publication is guaranteed by the company and may be subject to change in its sole discretion. The operating and performance characteristics of these products may vary depending on the application, installation, operating conditions and environmental factors. The company's terms and conditions of sale can be viewed at <http://www.altramotion.com/terms-and-conditions/sales-terms-and-conditions>. These terms and conditions apply to any person who may buy, acquire or use a product referred to herein, including any person who buys from a licensed distributor of these branded products.

©2018 by Stromag LLC. All rights reserved. All trademarks in this publication are the sole and exclusive property of Stromag LLC or one of its affiliated companies.



P-8517-SG 1/18

WA HEAD OFFICE

Unit 1 / 45 Inspiration Drive WA 6065
☎ (08) 9303 4966 📠 (08) 9303 4977
✉ info@chainanddrives.com.au

NSW HEAD OFFICE

Unit 7 / 70 Holbeche Road Arndell Park NSW 2148
☎ (02) 9674 8611 📠 (02) 9674 8363
✉ salesnsw@chainanddrives.com.au

www.chainanddrives.com.au