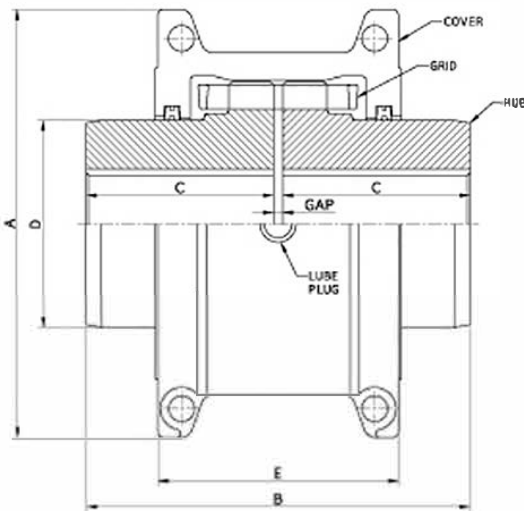


# LIFEMAX

# GRID COUPLING

## T10 Type

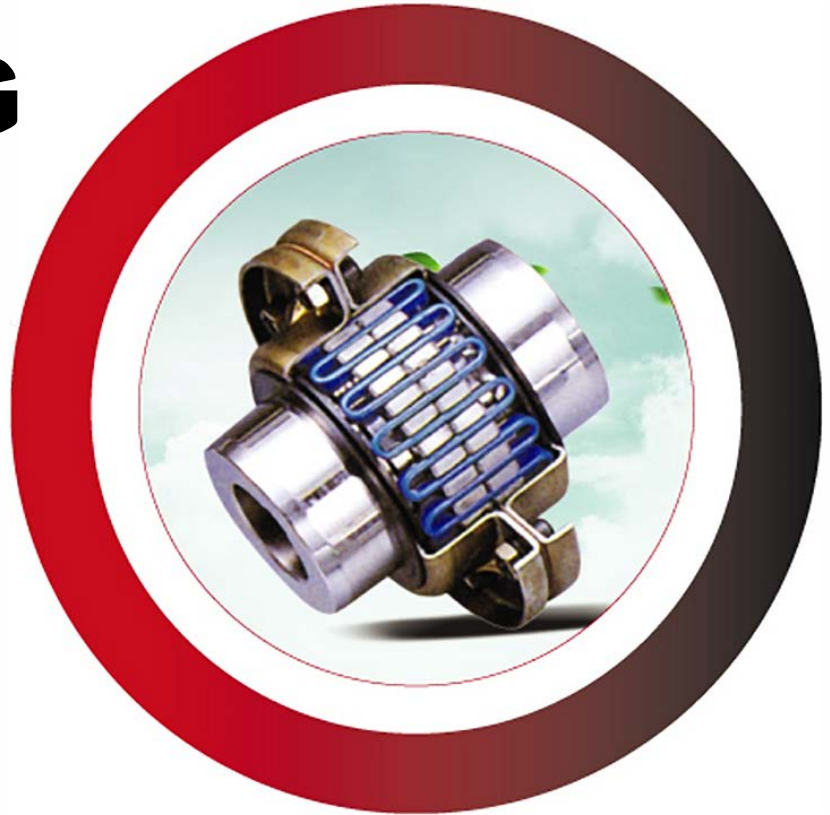
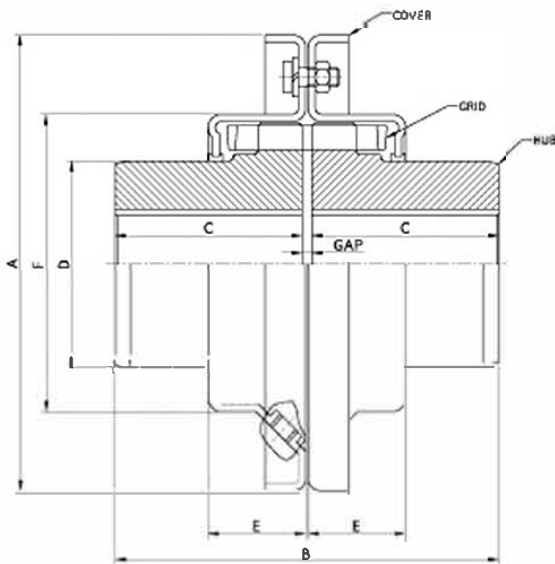


Size	HP Per 100 rpm	Max speed (rpm)	Basic Torque (kg · cm)	Bore Dia.(mm)		Dimensions(mm)					Gap(mm)			Cple wt(kg)	Lub. wt(kg)	Size
				Max.	Min.	A	B	C	D	E	Min.	Normal	Max.			
1020	0.68	4,500	486	30	12.7	101.6	98.0	47.5	39.7	66.5	1.5	3	4.5	1.9	0.03	1020
1030	1.93	4,500	1,383	36	12.7	111.0	98.0	47.5	49.2	68.3	1.5	3	4.5	2.6	0.03	1030
1040	3.22	4,500	2,304	44	12.7	117.5	104.6	50.8	57.1	70.0	1.5	3	4.5	3.4	0.05	1040
1050	5.63	4,500	4,033	50	12.7	138.0	123.6	60.3	66.7	79.5	1.5	3	4.5	5.4	0.05	1050
1060	8.85	4,350	6,337	57	19.1	150.5	130.0	63.5	76.2	92.0	1.5	3	4.5	7.3	0.09	1060
1070	13	4,125	9,217	65	19.1	161.9	155.4	76.2	87.3	95.0	1.5	3	4.5	10	0.11	1070
1080	27	3,600	19,010	79	27.0	194.0	180.8	88.9	104.8	116.0	1.5	3	4.5	18	0.17	1080
1090	48	3,600	34,565	95	27.0	213.0	199.8	98.4	123.8	122.0	1.5	3	6	25	0.25	1090
1100	81	2,400	58,183	107	41.3	250.0	245.7	120.6	142.0	155.5	1.5	4.5	6	42	0.43	1100
1110	121	2,250	86,411	117	41.3	270.0	258.5	127.0	160.3	161.5	1.5	4.5	9.5	54	0.51	1110
1120	177	2,025	126,736	136	60.3	308.0	304.4	149.2	179.4	191.5	1.5	6	9.5	81	0.73	1120
1130	257	1,800	184,343	165	66.7	346.0	329.8	161.9	217.5	195.0	1.5	6	12.5	121	0.91	1130
1140	370	1,650	264,993	184	66.7	384.0	371.6	182.8	254.0	201.0	1.5	6	12.5	178	1.13	1140
1150	515	1,500	368,686	203	108.0	453.1	371.8	182.9	269.2	271.3	1.5	6	12.5	234	1.95	1150
1160	724	1,350	518,465	228	120.7	501.4	402.2	198.1	304.8	278.9	1.5	6	12.5	317	2.81	1160
1170	965	1,225	691,286	279	133.4	566.4	437.8	215.9	355.6	304.3	1.5	6	12.5	448	3.49	1170
1180	1,338	1,100	958,584	311	152.4	629.9	483.8	238.8	393.7	321.1	1.5	6	12.5	619	3.76	1180
1190	1,770	1,050	1,267,358	339	152.4	675.6	524.2	259.1	436.9	325.1	1.5	6	12.5	776	4.40	1190
1200	2,413	900	1,728,216	361	177.8	756.9	564.8	279.4	497.8	355.6	1.5	6	12.5	1,057	5.62	1200
1210	3,217	820	2,304,288	386	177.8	844.5	621.6	304.8	533.4	431.8	3.0	12.7	24.0	1,424	10.50	1210
1220	4,343	730	3,110,788	411	203.2	920.7	662.0	325.0	571.5	490.2	3.0	12.7	24.0	1,784	16.05	1220

# LIFEMAX

## GRID COUPLING

### T20 Type



Size	HP Per 100 rpm	Max speed (rpm)	Basic Torque (kg · cm)	Bore Dia.(mm)		Dimensions(mm)					Gap(mm)			Cple wt(kg)	Lub. wt(kg)	Size
				Max.	Min.	A	B	C	D	E	Min.	Normal	Max.			
1020	0.68	6,000	486	30	12.7	111.1	98.0	47.5	39.7	24.2	1.5	3	4.5	2.0	0.03	1020
1030	1.93	6,000	1,383	36	12.7	120.7	98.0	47.5	49.2	25.0	1.5	3	4.5	2.6	0.03	1030
1040	3.22	6,000	2,304	44	12.7	128.5	104.6	50.8	57.1	25.7	1.5	3	4.5	3.4	0.05	1040
1050	5.63	6,000	4,033	50	12.7	147.6	123.6	60.3	66.7	31.2	1.5	3	4.5	5.4	0.05	1050
1060	8.85	6,000	6,337	57	19.1	162.5	130.0	63.5	76.2	32.2	1.5	3	4.5	7.3	0.09	1060
1070	13	5,500	9,217	65	19.1	173.0	155.4	76.2	87.3	33.7	1.5	3	4.5	10.4	0.11	1070
1080	27	4,750	19,010	79	27.0	200.0	180.8	88.9	104.8	44.2	1.5	3	4.5	17.7	0.17	1080
1090	48	4,000	34,565	95	27.0	213.8	199.8	98.4	123.8	47.7	1.5	3	6	25.4	0.25	1090
1100	81	3,250	58,183	107	41.3	266.7	245.7	120.6	142.0	60.0	1.5	4.5	6	42.2	0.43	1100
1110	121	3,000	86,411	117	41.3	285.8	258.5	127.0	160.3	64.2	1.5	4.5	9.5	54.4	0.51	1110
1120	177	2,700	126,736	136	60.3	319.0	304.4	149.2	179.4	73.4	1.5	6	9.5	81.6	0.73	1120
1130	257	2,400	184,343	165	66.7	377.8	329.8	161.9	217.5	75.1	1.5	6	12.5	122.5	0.91	1130
1140	370	2,200	264,993	184	66.7	416.0	371.6	182.8	254.0	78.2	1.5	6	12.5	180.1	1.13	1140
1150	515	2,000	368,686	203	108.0	476.3	371.8	182.9	269.2	106.9	1.5	6	12.5	230.0	1.95	1150
1160	724	1,750	518,465	228	120.7	533.4	402.2	198.1	304.8	114.3	1.5	6	12.5	321.1	2.81	1160
1170	965	1,600	691,286	279	133.4	584.2	437.8	215.9	355.6	119.4	1.5	6	12.5	448.2	3.49	1170
1180	1,338	1,400	958,584	311	152.4	630.0	483.8	238.8	393.7	130.0	1.5	6	12.5	591.0	3.76	1180
1190	1,770	1,300	1,267,358	339	152.4	685.0	524.2	259.1	436.9	135.0	1.5	6	12.5	761.0	4.40	1190
1200	2,413	1,100	1,728,216	361	177.8	737.0	564.8	279.4	497.8	145.0	1.5	6	12.5	1,021.0	5.62	1200
1210	3,217	820	2,304,288	386	177.8	830	621.6	304.8	533.4	167.5	3.0	12.7	24.0	1,389	10.50	1210
1220	4,343	730	3,110,788	411	203.2	872	662.0	325.0	571.5	195.0	3.0	12.7	24.0	1,746	16.05	1220